

# L140AD-4L

## 14-inch Rugged Laptop with Intel® Core™ i5-1235U



### KEY FEATURES

- 12th Gen. Intel® Processor Family – Alder Lake Processor
- 14" 1920 x 1080 FHD LED panel
- Dual battery with hotswappable design for wholeday work
- Magnesium alloy enclosure with double injection for drop protection



### OVERVIEW



#### Durability for Harsh Environment

**Durable Build:** Winmate Rugged Laptop is designed with a robust and durable exterior, compliant with US Defence Standard (MIL-STD-810H) for guaranteed performance. Winmate Rugged Laptop also certified with an IP65 rating, ensuring water and dust resistant.

**Outdoor-Compatible:** Winmate Rugged Laptop is built for thrive in challenging conditions, enduring extreme temperatures, repeated drops, humidity, ext. This rugged laptop is well-suited for industrial and defense applications, ensuring reliable performance in harsh environments.



#### Advanced Network Performance

**Efficient Connectivity:** Minimize downtime with the Winmate Rugged Laptop, equipped with WLAN, BT, and optional 4G/5G LTE for enhanced connectivity. Enjoy faster data transmission, ensuring reliable connectivity even in remote environments.



#### Optimal Computing Performance

**Versatile Storage:** Winmate Rugged Laptop is equipped with dual M.2 NVMe solid-state drives (SSD), offering a combined storage capacity of up to 4 TB.

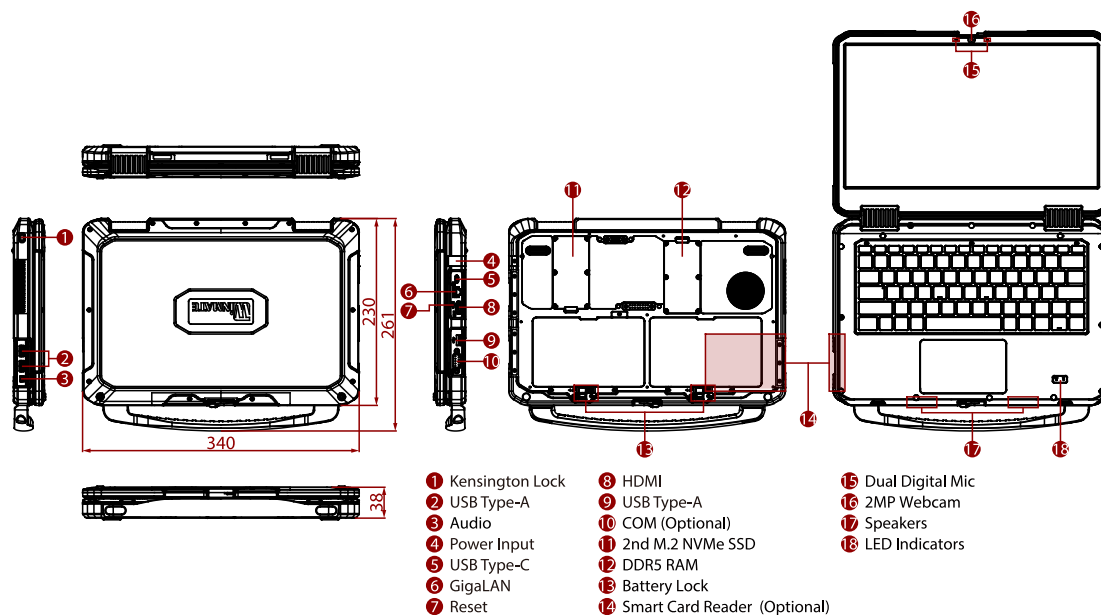
**Reliable for 24/7 Operations:** Winmate Rugged Laptop is designed with dual hot-swappable batteries, ensuring uninterrupted power for continuous operations.

### SPECIFICATIONS

Display			
Resolution	1920x1080	Size	14.0 inches
Contrast Ratio	800:1	Panel Brightness	300.0 nits
View Angles	85,85,85,85		
System Specification			
Processor	Intel Core i5-1235U (up to 4.4GHz)	Memory	8GB DDR5 SDRAM 16GB DDR5 SDRAM (Optional) 32GB DDR5 SDRAM (Optional)
Storage	256GB M.2 NVMe SSD 512GB M.2 NVMe SSD (Optional) 1TB M.2 NVMe SSD (Optional) 2TB M.2 NVMe SSD (Optional) 2nd storage available with up to 2TB M.2 NVMe SSD (Optional)	Security	Trusted Platform Module (TPM) 2.0 Kensington Lock
Operating System	Windows 11 IoT Enterprise LTSC (64 bit) Windows 10 IoT Enterprise LTSC (64 bit) (Optional)	WLAN	Support
BT	Support	WWAN	4G LTE (Optional) 5G (Optional)
Smart Card Reader	Smart Card Reader (Mutually exclusive with 2nd LAN) (Optional)		
Camera			

<b>Front Camera</b>	2MP Front Camera		
<b>Mechanical</b>			
<b>Dimension</b>	340 x 230 x 38 mm	<b>Weight</b>	2.35 kg
<b>Cooling System</b>	Fan Design		
<b>IO Ports</b>			
<b>USB Port</b>	1 x USB 3.0 (Type C) 3 x USB 3.0 (Type A) (One USB-A is mutually exclusive with 2nd LAN)	<b>SD Card Slot</b>	1 x Micro SDXC Slot
<b>SIM Card Slot</b>	1 x Nano SIM card slot	<b>Video</b>	1 x HDMI 4K Output
<b>Audio</b>	1 x Audio combo 3.5mm audio combo jack Dual Digital Mic With Noise Cancellation Dual Speaker	<b>LAN</b>	1 x RJ45-10/100/1000 GigaLAN port Optional 2nd LAN (Mutually exclusive with one USB-A & Smart Card Reader)
<b>Indicator</b>	2x LED Indicator for Power, Battery		
<b>Environment</b>			
<b>Operating Humidity</b>	10% to 90% RH, non-condensing	<b>Operating Temperature</b>	-10°C to 50°C
<b>Storage Temperature</b>	-30°C to 70°C	<b>Shock</b>	MIL-STD-810H Method 516.8 Procedure I
<b>Vibration</b>	MIL-STD-810H Method 514.8 Procedure I	<b>IP rating</b>	IP65
<b>Drop</b>	MIL-STD-810H Method 516.8, 3 ft		
<b>Certification</b>			
<b>Certification</b>	CE, FCC		
<b>Security Function</b>			
<b>SOTI MobiControl</b>	SOTI MobiControl Compliance	<b>Kensington Lock</b>	Kensington Lock Support
<b>Control</b>			
<b>Button</b>	QWERTY keyboard with backlight		
<b>Power</b>			
<b>Battery</b>	Hot-swappable 2 x 11.55V, typ. 3220 mAh Li-Ion Battery (3S1P)	<b>Battery Operating Time</b>	Standard Battery: 11 hours
<b>Power Rating</b>	19V DC	<b>Adapter</b>	100-240V, 50-60Hz / 19V DC

## DIMENSIONS UNIT:MM



## NOTE

/ Disclaimer /

1. Accessories and Integrated Options may vary depending on your configuration.
2. Total usable memory and storage will be less dependent upon actual system configuration.
3. The actual transfer speed will vary depending on many factors including the processing speed of the host device, file attributes, and other factors related to the system configuration and your operating environment.
4. The USB Type-C connector follows USB 3.0 standard, which does not support Alternate Mode (ALT) or USB Power Delivery (USB-PD).
5. The battery life is measured at dimming LCD brightness. Varies depending on the usage conditions, or when an external device is attached.
6. The 2D drawing is simplified drawing and some components are not marked in detail.
7. Length measurements do not include protrusions. Weight varies with options.
8. TPM 2.0 available upon request.
9. SOTI is available upon request.
10. The product shown in this datasheet is a standard model. For diagrams that contain customized or optional I/O, please contact the Winmate Sales Team for more information.